

4

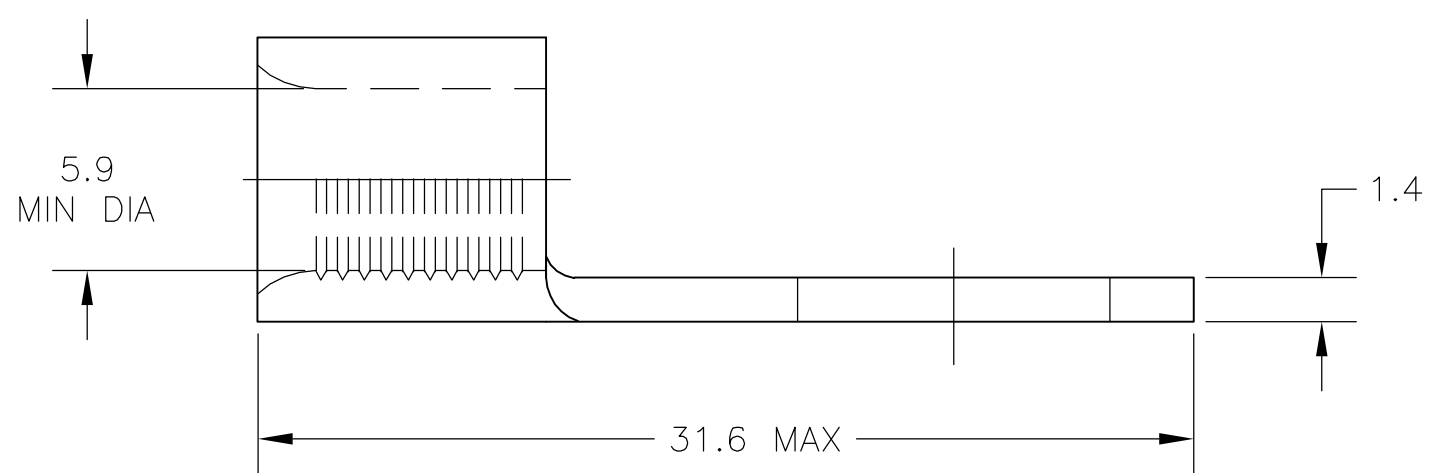
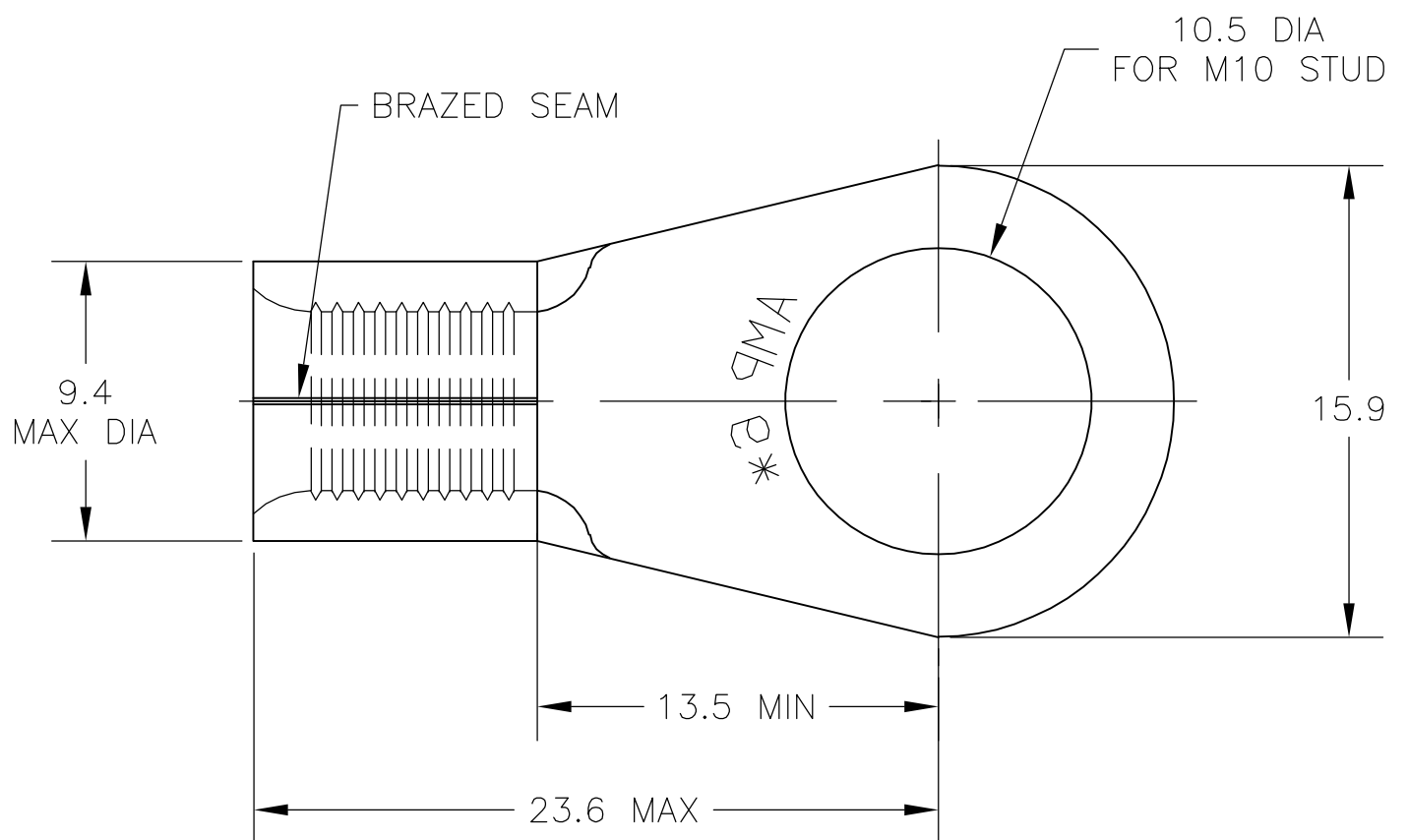
3

2

1

THIS DRAWING IS UNPUBLISHED. RELEASED FOR PUBLICATION
 © COPYRIGHT - BY TYCO ELECTRONICS CORPORATION. ALL RIGHTS RESERVED.

LOC	DIST	REVISIONS					
		P	LTR	DESCRIPTION	DATE	DWN	APVD
G	14		B	PER ECR 06-002179	26JAN06	JR	TM



160032
 PART NO

THIS DRAWING IS A CONTROLLED DOCUMENT.		DWN jr_ruth	09JUN04	tyco Electronics	Tyco Electronics Corporation Harrisburg, PA 17105-3608		
DIMENSIONS: INCHES		CHK T MICHELUTTI	09JUN04		NAME		
TOLERANCES UNLESS OTHERWISE SPECIFIED:		APVD T MICHELUTTI	09JUN04	WIRE TERMINAL SOLISTRAND RING TONGUE			
0 PLC ± -		PRODUCT SPEC		SIZE			RESTRICTED TO
1 PLC ± 0.2		APPLICATION SPEC		CAGE CODE			
2 PLC ± -		WEIGHT		DRAWING NO			
3 PLC ± -		CUSTOMER DRAWING		A3 00779			
4 PLC ± -		SCALE		G-160032			
ANGLES ± -		SHEET		1 OF 1			
FINISH		REV		B			
COPPER		TIN PLATE					